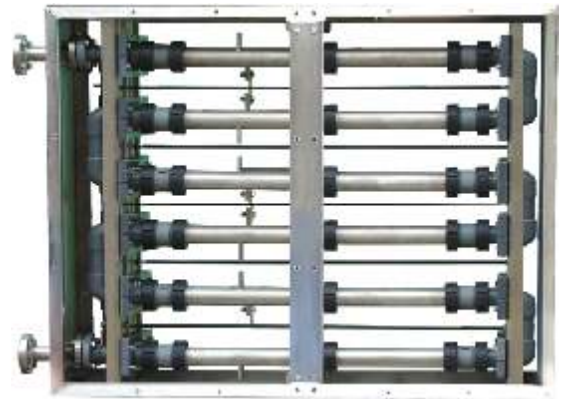
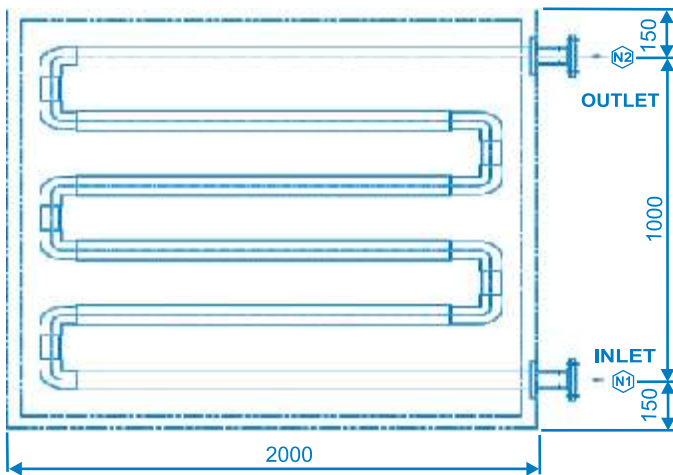


# HYPOPAC M6K CONCENTRIC TUBE ELECTROLYZER

**SEAWATER  
Electrolyzer**

## DIMENSION SPECIFICATION



MARK	QTY	SERVICE	NB	RATING	BOLT HOLE PATTERN
N1	1	SEAWATER INLET	40	150#	ASTM B16.5 (OFF Crs.)
N2	1	HYPOCHLORITE OUTLET	40	150#	ASTM B16.5 (OFF Crs.)

All dimensions are in mm.

## CONSTRUCTION SPECIFICATION

CAPACITY	MOUNTING TYPE	FITTINGS	ANODE	CATHODE	ENCLOSURE
6.0 Kg/hr	HORIZONTAL	CPVC	TITANIUM Gr.2 WITH PRECIOUS METAL OXIDE COATING	TITANIUM Gr.2	SS316L (2000 X 1300 X 400)

[www.electrochlorinator.com](http://www.electrochlorinator.com)

**Hypo Pac**®  
Registered Trademark of Titanium Tantalum Products Limited.  
sales@titanindia.com  
[www.titanindia.com](http://www.titanindia.com)

**Titanium Tantalum Products Limited**  
86/1, Vengaivasal Main Road,  
Gowrivakkam, Chennai 600 073, INDIA  
☎ +91-44-22781210/0211/0212  
☎ +91-44-22780209

**TITAN**®  
SINCE 1981